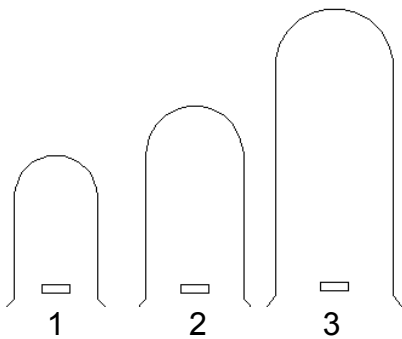


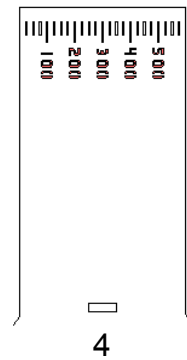
MicroTools™ Kit 1

20 soft, flexible tools to simplify your sample handling tasks



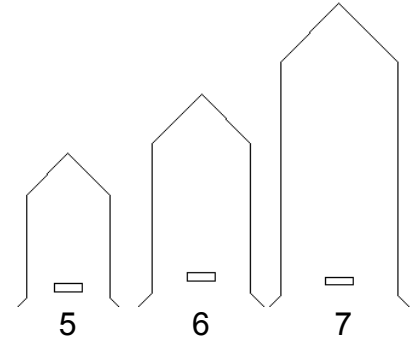
MicroSpoons™

Push, detach from surfaces, separate from a cluster, lift, transfer. Push down to flatten tip and slide under sample.



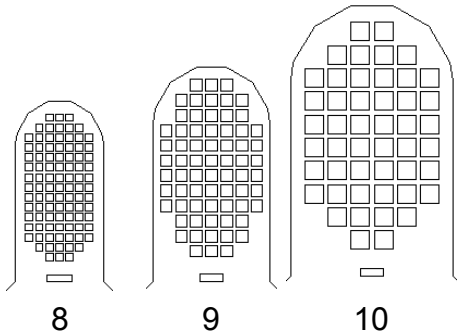
MicroRuler™

Scale in microns.



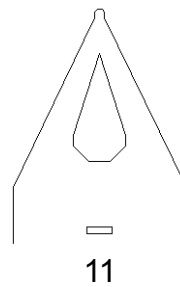
MicroChisels™

Push, detach from surfaces, separate from a cluster, lift, transfer. Push down to flatten tip and slide under sample.



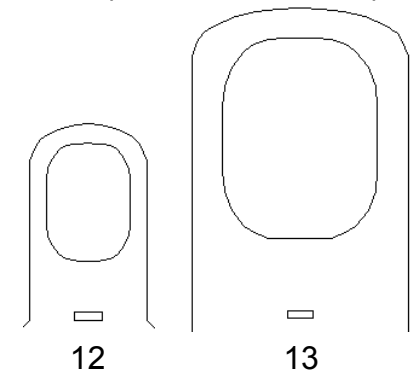
MicroSieves™

Sieve, lift, transfer and soak.



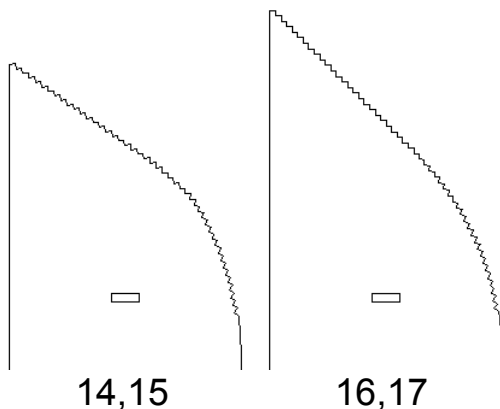
MicroTip™

Poke, separate and lift.



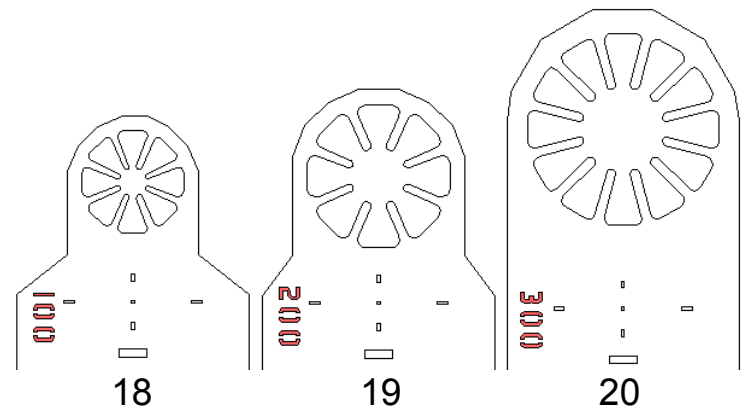
MicroLassos™

Lasso and pull to detach from surfaces.



MicroSaws™

Cut and remove protein skins, gels, lipids.



MicroGrippers™

Push down onto your sample to firmly capture it for room-temperature crystallography.