
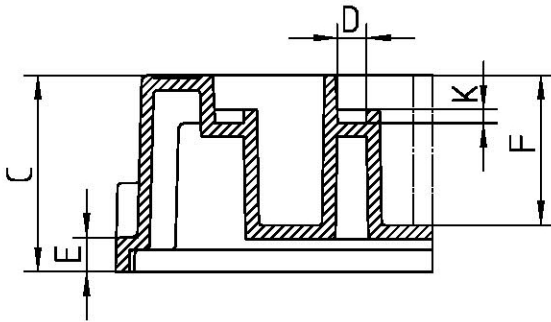
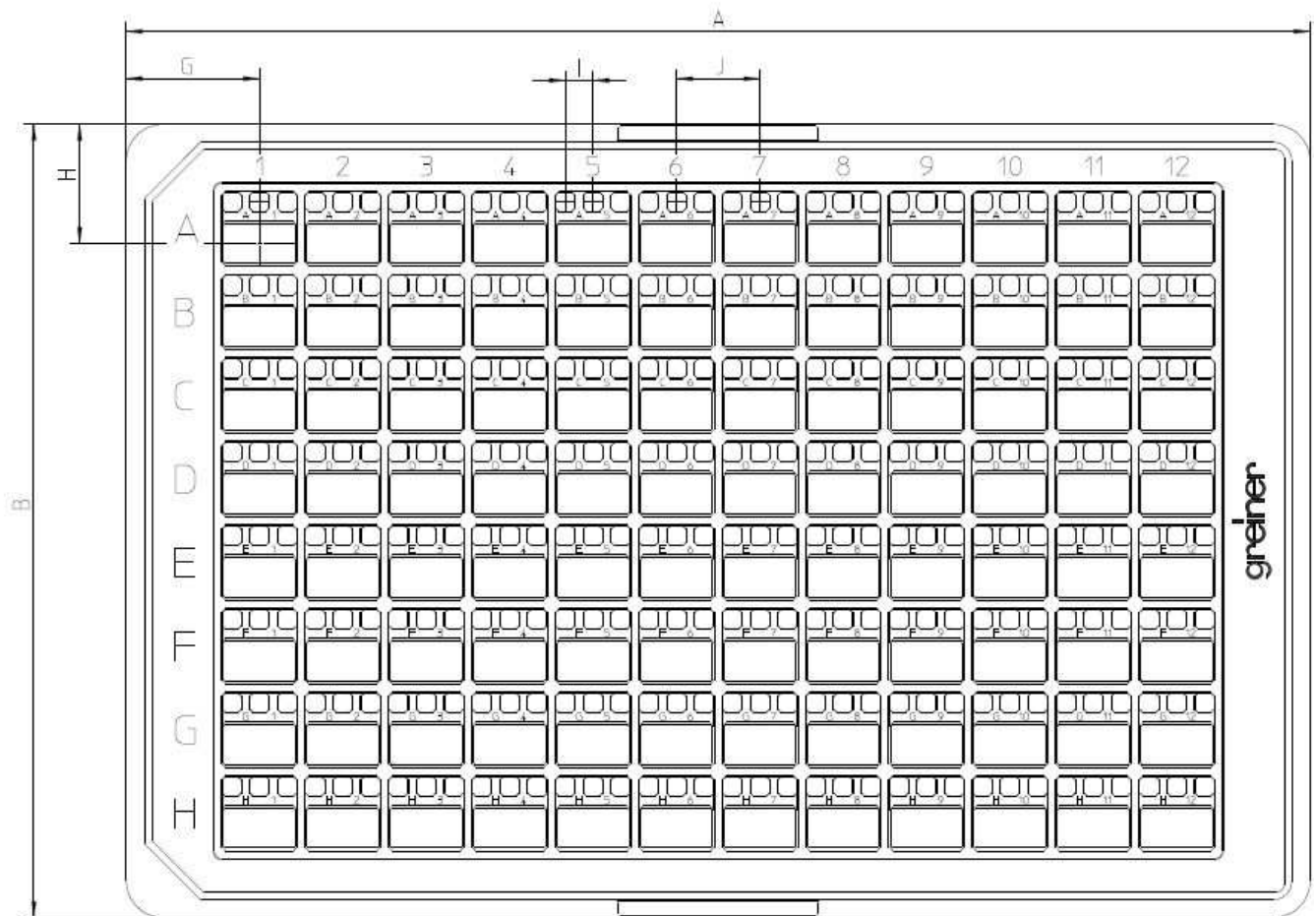


AC- 609101	CUSTOMER DRAWING	Page 1 of 1
Revision 02	96 Well CrystalQuick™ , PS , Solid Bottom, Square Well	 greiner bio-one
	Item-No. 609 101	



NOT TO SCALE



Cat.-No.	Description	A	B	C	D	E	F	G	H	I	J	K
609 101	CrystalQuick™	127.76 +0/-0.3	85.4 +0/-0.3	14.4 ±0.2	2.13	2.5	11	14.38	12.84	2.99	9	1

All dimensions in mm

Customer drawing subject to change without notice!

Prior Issue	Drawn	Approved	Released	CONFIDENTIAL: Information contained in this document or drawing is confidential and proprietary to Greiner Bio-One GmbH. This document may not be reproduced for any reason without written permission from Greiner Bio-One GmbH. All rights of design, invention, and copyright are reserved.
Revision 01	Date January 04, 2008	Date January 04, 2008	Date January 05, 2008	
Date August 01, 2005	Name F. Falter	Name F. Sonntag	Name F. Sonntag	